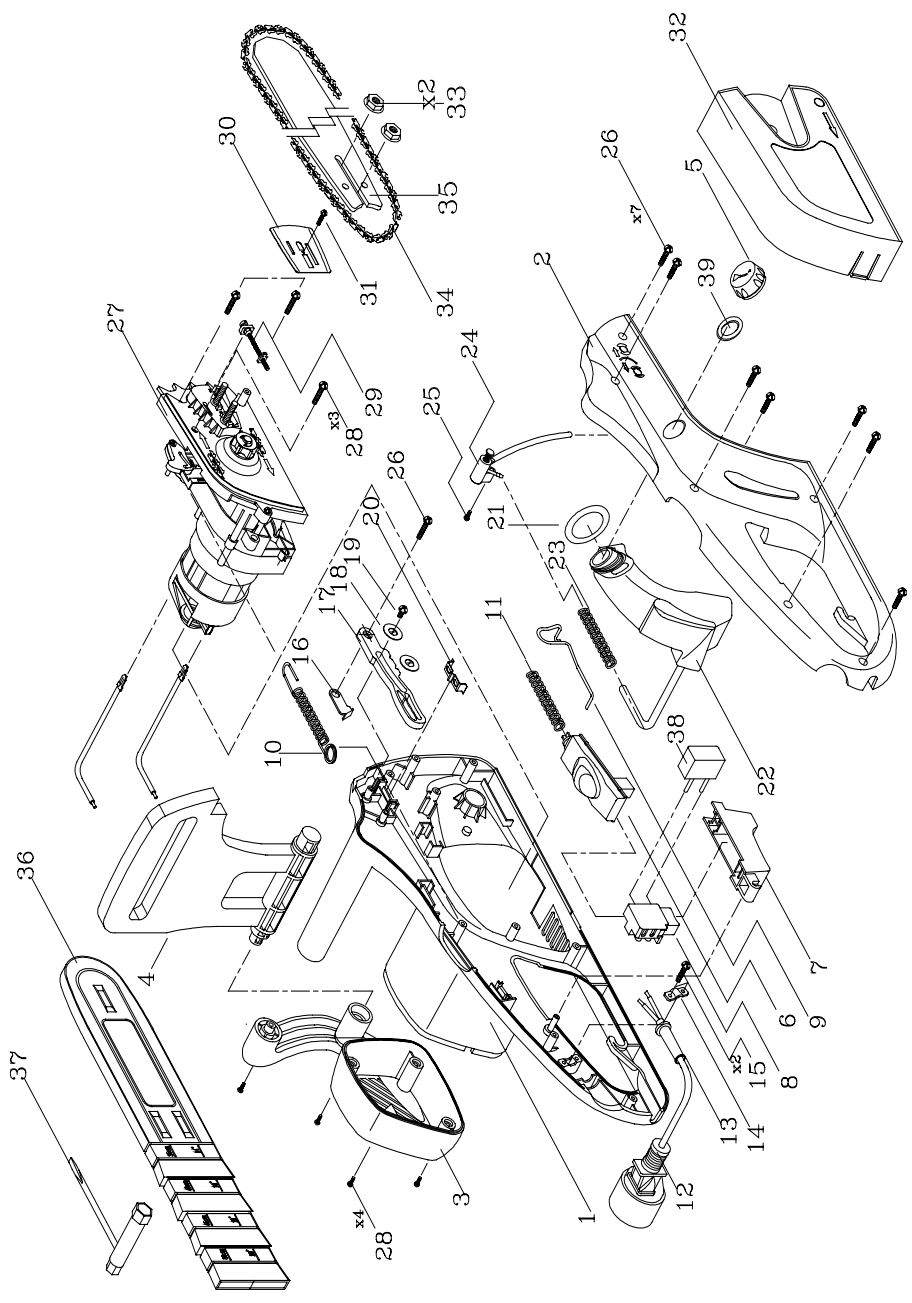


**ELETTROSEGA**    **ELECTRIC CHAINSAW**  
**Mod. 1400 W - 1800 W**



No.	Parts No.	Qty	No.	Parts No.	Qty
1	6038-210510	1	21	6076-210503	1
2	6038-210509	1	22	6228-210503	1
3	6086-210502	1	23	6024-210506	1
4	6017-210502	1	24	6228-210506	1
5	6017-210103	1	25	6SVABB03-20	1
6	6056-210502	1	26	6SDABB04-20	8
7	6056-210503	1	27	6228-210601	1
8	6022-210501	1	28	6SDABB04-25	7
9	6114-210502	1	29	6228-210504	1
10	6024-210504	1	30	6014-210505	1
11	6024-210503	1	31	6SDABB03-12	1
12	6011-210503	1	32	6228-210514	1
13	6059-855001	1	33	6NHZ-1/4	2
14	6043-840001	1	34	LIST 1	1
15	6SDABB04-14	2	35	LIST 2	1
16	6017-210504	1	36	LIST 3	1
17	6114-210501	1	37	9042-310101	1
18	6014-210504	2	38	6153-850001	1
19	6SGABB04-08	1	39	6012-210501	1
20	6079-210501	1			

LIST 1

No.	Parts No.	Qty
1	6220-210803 (14")	1
2	6220-210804 (16")	1
3	6220-210805 (20")	1

LIST 2

No.	Parts No.	Qty
1	9040-310123 (14")	1
2	9040-310125 (16")	1
3	9040-310103 (18")	1

LIST 3

No.	Parts No.	Qty
1	6101-210505 (14")	1
2	6101-210506 (16")	1
3	6101-210507 (18")	1

No.	Parts No.	Qty
1	6SIABA05-75	2
2	9272-840001	2
3	6161-210502	1
4	6SQAB-03-08	2
5	6041-210501	2
6	6159-210501	2
7	6216-210502	2
8	6261-210503	1
9	6161-210501	1
10	6MB-607-07	1
11	6260-210503	1
12	6MB-608-07	2
13	6NGZ-08	1
14	6SGABB04-08	6
15	6217-210501	1
16	6014-210503	1
17	6189-210501	1
18	6110-210501	1
19	6073-210501	1
20	6014-210509	1
21	6CC-08	1
22	6034-210501	1
23	6014-210511	1
24	6CD-12	1
25	6024-210510	1
26	6181-210503	1
27	6181-210504	1
28	6SLABB03-15	3
29	6181-210505F	1
30	6024-210505	1
31	6180-602001	30
32	6014-210510	1
33	6NR-HK1010	1
34	6191-210503	2
35	6217-210502	1
36	6SDABB04-20	5
37	6073-210502	1
38	6014-210502	1
39	6CC-10	1
40	6010-210504	1
41	6010-210503	1
42	6263-210501	1
43	6WFB-12-17	1
44	6014-210513	1
45	6014-210515	1

